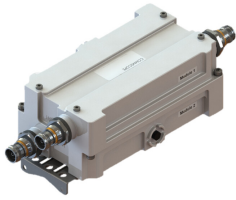


E16V87P64



TWIN-IMF 2600 MHz,B38 Rejects 2500-2570&2620-2690, 38dB

General Specifications

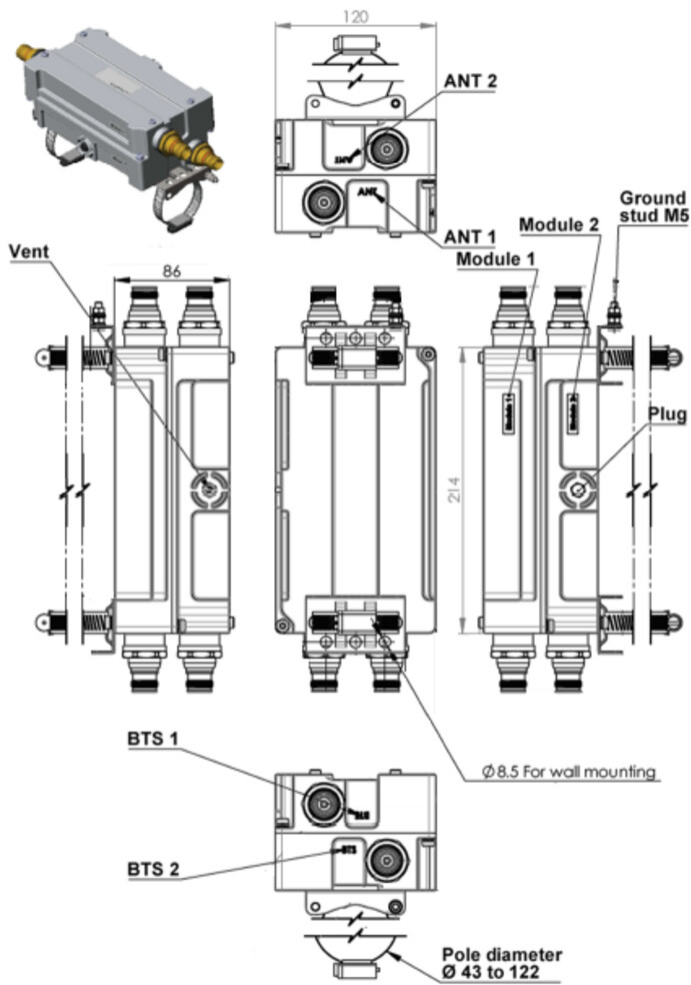
Color	Gray
Modularity	2-Twin
Mounting Pipe Hardware	Band clamps (2)
RF Connector Interface	4.3-10 Female
RF Connector Interface Body Style	Long neck

Dimensions

Height	86 mm 3.386 in
Width	120 mm 4.724 in
Depth	214 mm 8.425 in
Ground Screw Diameter	5 mm 0.197 in
Mounting Pipe Diameter Range	43–122 mm

Outline Drawing

E16V87P64



Electrical Specifications

Impedance 50 ohm

Electrical Specifications, dc Power/Alarm

Lightning Surge Current 5 kA

Lightning Surge Current Waveform 8/20 waveform

Electrical Specifications

Sub-module 1 | 2

Branch 1

License Band IMT 2600, Band Pass

Electrical Specifications, Band Pass

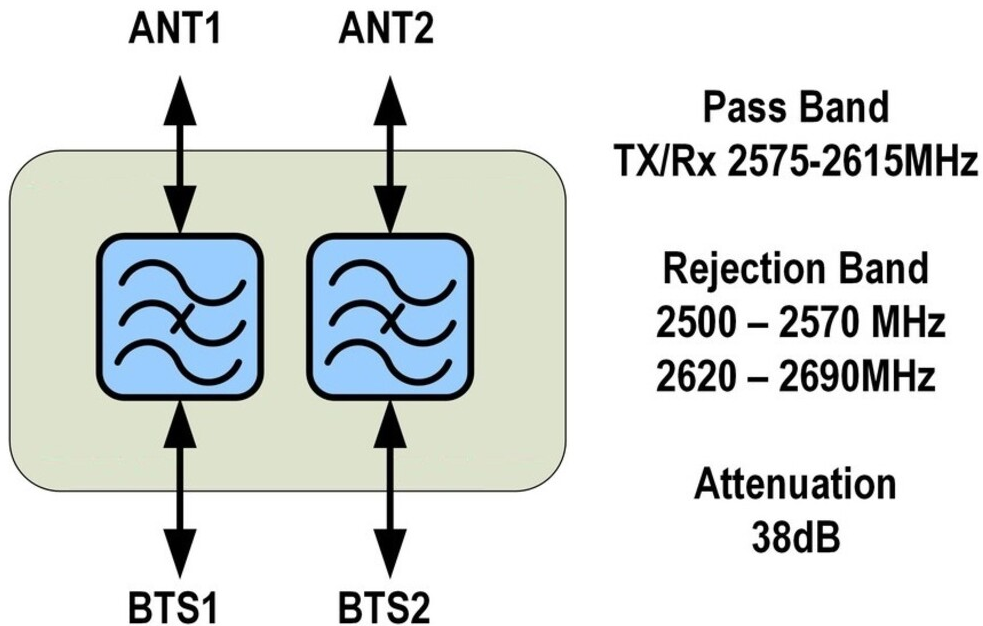
E16V87P64

Frequency Range, MHz	2575–2615
Insertion Loss, maximum, dB	1.3
Insertion Loss, typical, dB	0.5
Total Group Delay, maximum, ns	100
Return Loss, minimum, dB	18
Return Loss, typical, dB	20
Input Power, RMS, maximum, W	250
Input Power, PEP, maximum, W	1000
3rd Order PIM, maximum, dBc	-150
3rd Order PIM Test Method	Two +43 dBm carriers

Electrical Specifications, Band Reject

Frequency Range, MHz	2500–2570 2620–2690
Attenuation, minimum, dB	38

Block Diagram



Environmental Specifications

E16V87P64

Operating Temperature -40 °C to +55 °C (-40 °F to +131 °F)

Relative Humidity Up to 100%

Ingress Protection Test Method IEC 60529:2001, IP67

Packaging and Weights

Included Mounting hardware

Weight, without mounting hardware 3.4 kg | 7.496 lb