

195PJM-CR

1.0/2.3 DIN Male for CNT-195 braided cable

Product Classification

Product Type Braided cable connector

Product Brand CNT®

General Specifications

Body Style Straight

Inner Contact Attachment Method Solder

Inner Contact Plating Gold

Interface 1.0-2.3 DIN Male

Outer Contact Attachment Method Crimp

Outer Contact Plating Silver

Pressurizable No

Dimensions

Width 8.53 mm | 0.336 in

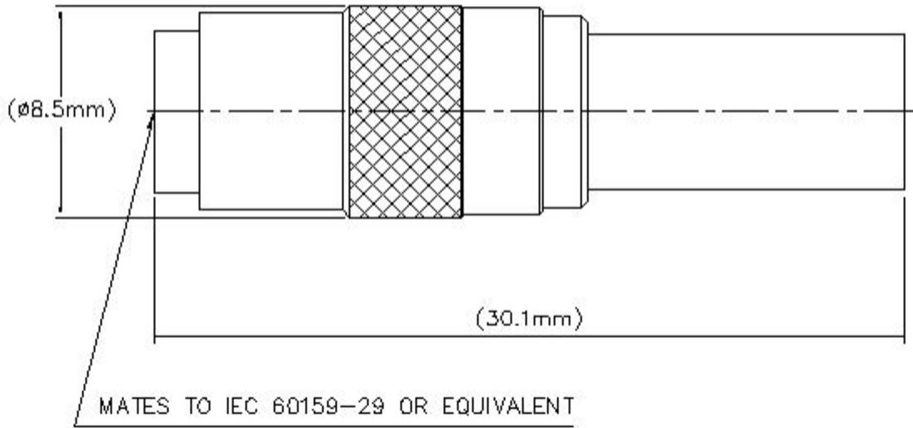
Length 30.1 mm | 1.185 in

Diameter 8.53 mm | 0.336 in

Nominal Size 0.195 in

Outline Drawing

195PJM-CR



Electrical Specifications

Insertion Loss, typical	0.05 dB
Average Power at Frequency	150.0 W @ 900 MHz
Cable Impedance	50 ohm
Connector Impedance	50 ohm
dc Test Voltage	1000 V
Inner Contact Resistance, maximum	4 mOhm
Insulation Resistance, minimum	1000 MOhm
Operating Frequency Band	0 – 6000 MHz
Outer Contact Resistance, maximum	2.5 mOhm
Peak Power, maximum	1.25 kW
RF Operating Voltage, maximum (vrms)	250 V

VSWR/Return Loss

Frequency Band	VSWR	Return Loss (dB)
0–3000 MHz	1.19	21.24
3000–6000 MHz	1.33	17

Mechanical Specifications

Connector Retention Tensile Force	134 N 30.124 lbf
--	--------------------

195PJM-CR

Connector Retention Torque	0.17 N-m 1.505 in lb
Insertion Force	10 N 2.248 lbf
Insertion Force Method	IEC 61169-29:9.3.5
Interface Durability	500 cycles
Interface Durability Method	IEC 61169-29:9.5
Mechanical Shock Test Method	IEC 60068-2-27

Environmental Specifications

Operating Temperature	-40 °C to +85 °C (-40 °F to +185 °F)
Storage Temperature	-65 °C to +125 °C (-85 °F to +257 °F)
Attenuation, Ambient Temperature	20 °C 68 °F
Average Power, Ambient Temperature	40 °C 104 °F
Average Power, Inner Conductor Temperature	100 °C 212 °F
Climatic Sequence Test Method	IEC 60068-1
Corrosion Test Method	IEC 60068-2-11
Damp Heat Steady State Test Method	IEC 60068-2-3
Thermal Shock Test Method	IEC 60068-2-14
Vibration Test Method	IEC 60068-2-6
Water Jetting Test Mating	Mated
Water Jetting Test Method	IEC 60529:2001, IP65

Packaging and Weights

Weight, net	10.39 g 0.023 lb
--------------------	--------------------

Regulatory Compliance/Certifications

Agency	Classification
ISO 9001:2015	Designed, manufactured and/or distributed under this quality management system



* Footnotes

Insertion Loss, typical 0.05v⁻¹freq (GHz) (not applicable for elliptical waveguide)