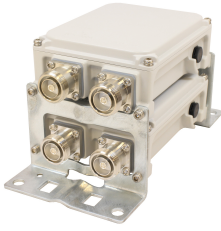


CBC1726-DP-2X | E11F02P49



Twin Diplexer, 1695-2180//2300-2690 MHz, dc bypass all ports,AISG Compatible 1.1-2.0

Product Classification

Product Type Diplexer

General Specifications

Product Family CBC1726

Color Gray

Common Port Label COMM

Modularity 2-Twin

Mounting Pole | Wall

Mounting Pipe Hardware Band clamps (2)

RF Connector Interface 7-16 DIN Female

RF Connector Interface Body Style Long neck

Dimensions

Height 152.4 mm | 6 in

Width 123 mm | 4.843 in

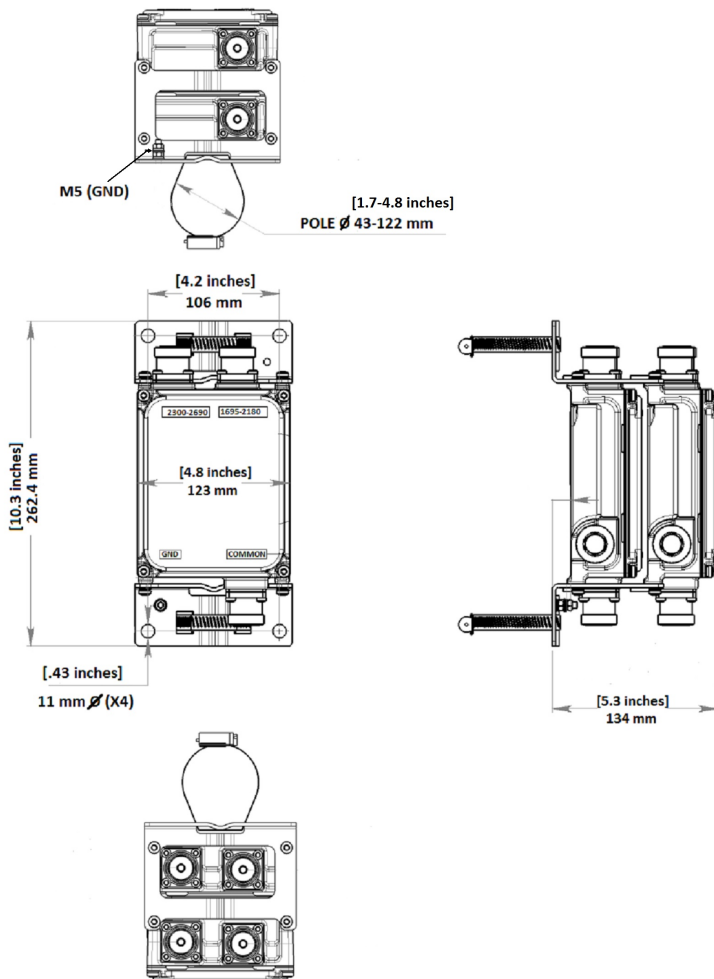
Depth 121.2 mm | 4.772 in

Ground Screw Diameter 6 mm | 0.236 in

Mounting Pipe Diameter Range 42.6–122 mm

CBC1726-DP-2X | E11F02P49

Outline Drawing



Electrical Specifications

Impedance	50 ohm
License Band, Band Pass	AWS 1700 DCS 1800 IMT 2100 IMT 2600 PCS 1900 TDD 1900 TDD 2000 TDD 2300 TDD 2600 WCS 2300

Electrical Specifications, dc Power/Alarm

dc/AISG Pass-through, combiner	Branch 1 Branch 2
dc/AISG Pass-through, demultiplexer	Branch 1 Branch 2
Lightning Surge Current	3 kA
Lightning Surge Current Waveform	10/350 waveform
Voltage	7-30 Vdc

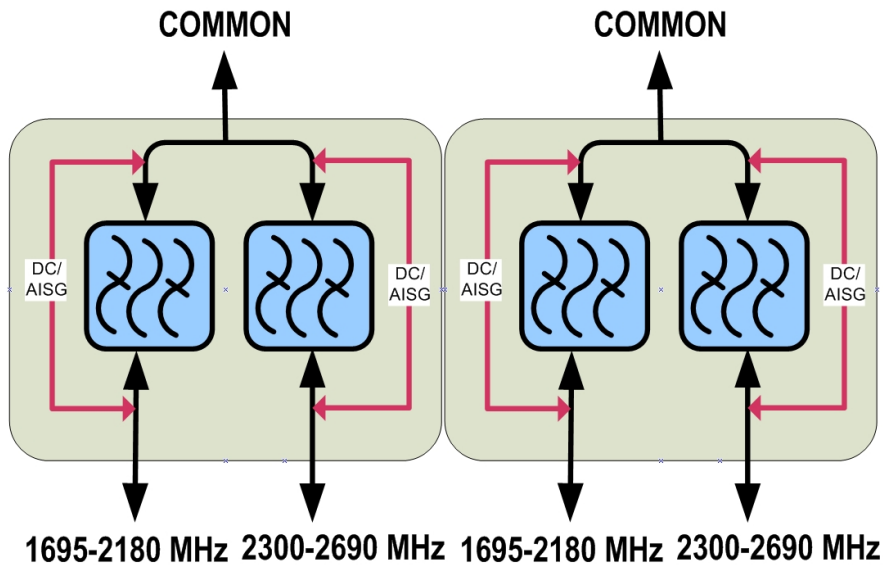
Electrical Specifications

Sub-module	1 2	1 2
Branch	1	2
Port Designation	1695-2180	2300-2690
License Band	AWS 1700, Band Pass DCS 1800, Band Pass IMT 2100, Band Pass PCS 1900, Band Pass TDD 1900, Band Pass TDD 2000, Band Pass	IMT 2600, Band Pass WCS 2300, Band Pass TDD 2300, Band Pass TDD 2600, Band Pass

Electrical Specifications, Band Pass

	1695–2180	2300–2690
Frequency Range, MHz	1695–2180	2300–2690
Insertion Loss, maximum, dB	0.4	0.4
Insertion Loss, typical, dB	0.3	0.35
Total Group Delay, maximum, ns	30	30
Return Loss, minimum, dB	18	18
Return Loss, typical, dB	20	20
Isolation, minimum, dB	50	50
Input Power, RMS, maximum, W	300	300
Input Power, PEP, maximum, W	3500	3500
3rd Order PIM, typical, dBc	-153	-153
3rd Order PIM Test Method	2 x 20 W CW tones	2 x 20 W CW tones

Block Diagram



Environmental Specifications

Operating Temperature	-40 °C to +65 °C (-40 °F to +149 °F)
Relative Humidity	Up to 100%
Corrosion Test Method	IEC 60068-2-11, 30 days
Ingress Protection Test Method	IEC 60529:2001, IP67

Packaging and Weights

Included	Mounting hardware
Mounting Hardware Weight	0.5 kg 1.102 lb
Volume	2.3 L
Weight, without mounting hardware	4.5 kg 9.921 lb