

CBC1726-DL | E11F02P48

Diplexer, 1800-2100//2300-2600 MHz, dc bypass on 1800-2100 port

Product Classification

Product Type Diplexer

General Specifications

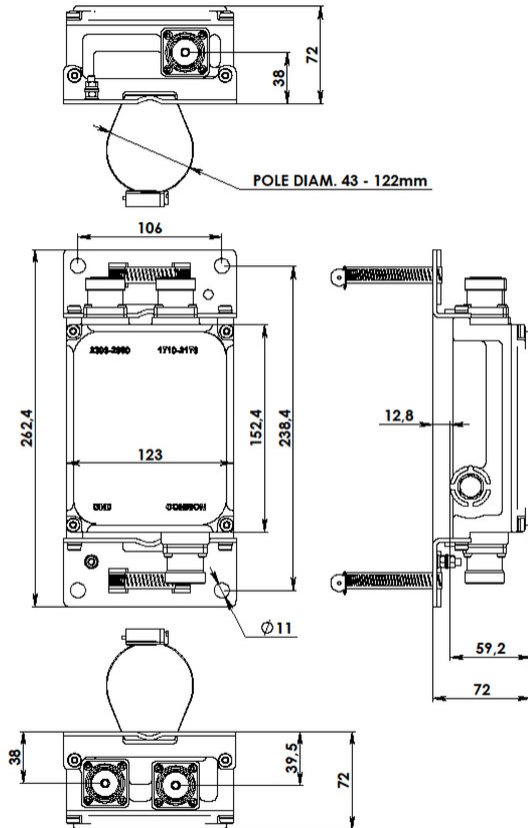
Product Family CBC1726
Color Gray
Common Port Label COMM
Modularity 1-Single
Mounting Pole | Wall
Mounting Pipe Hardware Band clamps (2)
RF Connector Interface 7-16 DIN Female
RF Connector Interface Body Style Medium neck

Dimensions

Height 152.4 mm | 6 in
Width 123 mm | 4.843 in
Depth 59 mm | 2.323 in
Ground Screw Diameter 6 mm | 0.236 in
Mounting Pipe Diameter Range 42.6–122 mm

CBC1726-DL | E11F02P48

Outline Drawing



Electrical Specifications

Impedance	50 ohm
License Band, Band Pass	AWS 1700 DCS 1800 IMT 2100 IMT 2600 PCS 1900 TDD 1900 TDD 2000 TDD 2300 TDD 2600 WCS 2300

Electrical Specifications, dc Power/Alarm

dc/AISG Pass-through, combiner	Branch 1
dc/AISG Pass-through, demultiplexer	Branch 1
Lightning Surge Current	3 kA
Lightning Surge Current Waveform	10/350 waveform

CBC1726-DL | E11F02P48

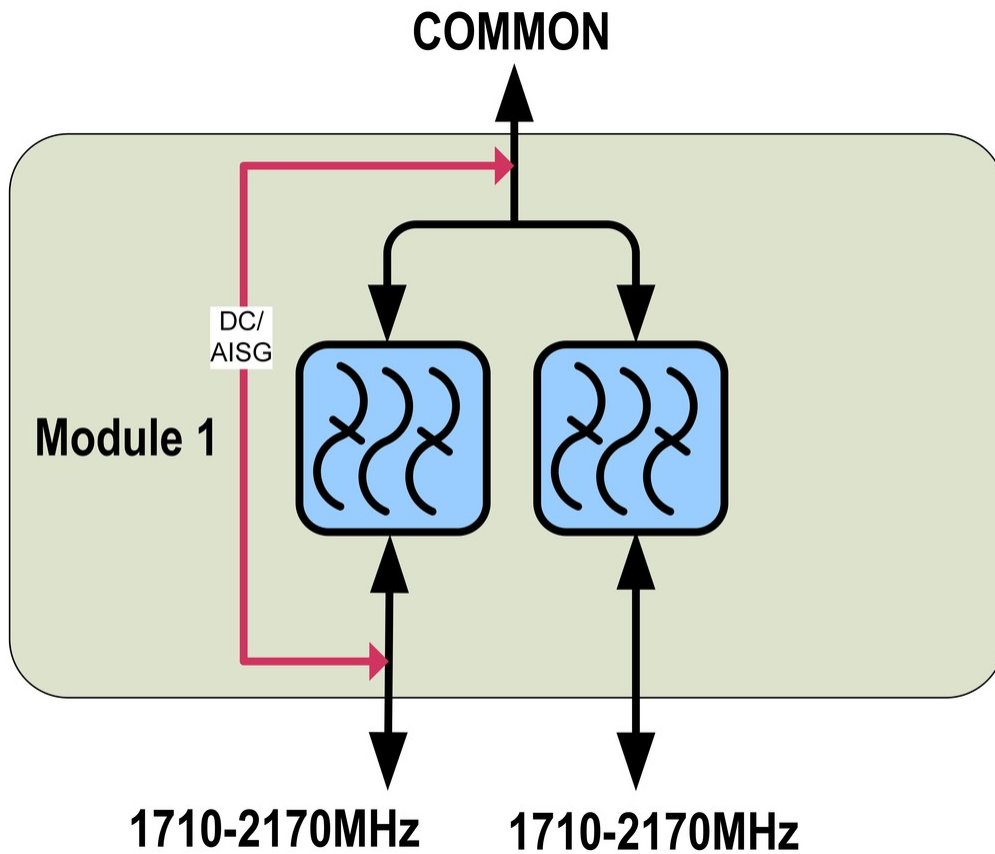
Electrical Specifications

Sub-module	1	1
Branch	1	2
Port Designation	1710-2170	2300-2690
License Band	AWS 1700, Band Pass DCS 1800, Band Pass IMT 2100, Band Pass PCS 1900, Band Pass TDD 1900, Band Pass TDD 2000, Band Pass	IMT 2600, Band Pass WCS 2300, Band Pass TDD 2300, Band Pass TDD 2600, Band Pass

Electrical Specifications, Band Pass

	1710–2170	2300–2690
Frequency Range, MHz		
Insertion Loss, maximum, dB	0.4	0.4
Insertion Loss, typical, dB	0.3	0.35
Total Group Delay, maximum, ns	30	30
Return Loss, minimum, dB	18	18
Return Loss, typical, dB	20	20
Isolation, minimum, dB	50	50
Input Power, PEP, maximum, W	3500	3500
3rd Order PIM, typical, dBc	-155	-155
3rd Order PIM Test Method	2 x 20 W CW tones	2 x 20 W CW tones

Block Diagram



Environmental Specifications

Operating Temperature	-40 °C to +60 °C (-40 °F to +140 °F)
Relative Humidity	Up to 100%
Corrosion Test Method	IEC 60068-2-11, 30 days
Ingress Protection Test Method	IEC 60529:2001, IP67

Packaging and Weights

Included	Mounting hardware
Volume	1.1 L
Weight, net	2.4 kg 5.291 lb