

C42010018



TMA Power Cable, dual SMA male to receive multicoupler, 0.8 m

Product Classification

Product Type Power cable assembly

General Specifications

Application Receive multicoupler

Conductor Type RG178

Conductors, quantity 2

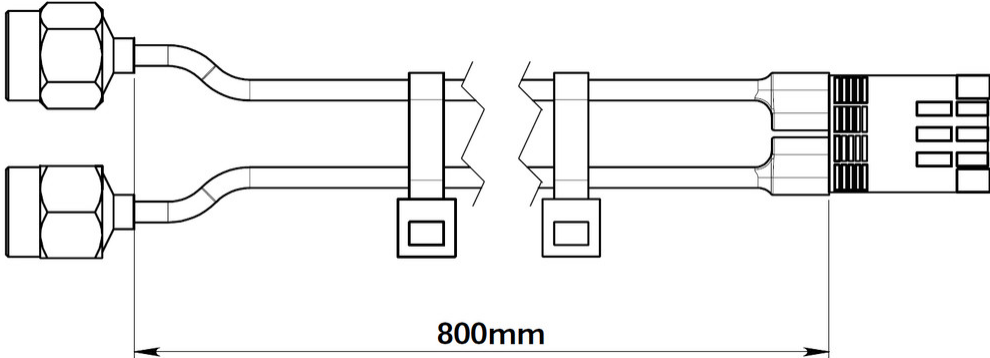
Connector Interface 4-pin single row header Female | SMA Male

Dimensions

Length 800 mm | 31.496 in

C42010018

Outline Drawing



Material Specifications

Material Type FEP